

# Application guide

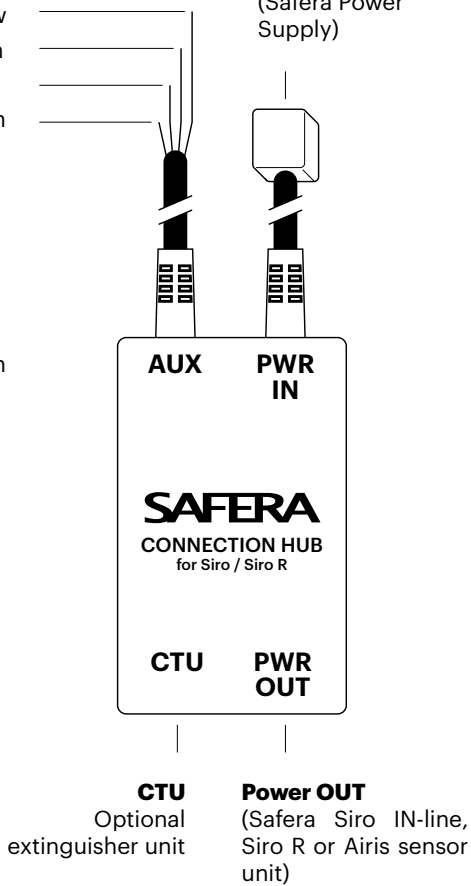
Safera Connection Hub for Safera Siro IN-line and Siro R



**AUX**  
 IN 1 = Yellow  
 OUT 1 = Green  
 IN 2 = White  
 OUT 2 = Brown

**Power IN**  
 (Safera Power Supply)

**Dimensions**  
 110 x 55 x 22 mm



## OUTPUT signals

- Output with two signals and 4 modes for example to home automation systems
- Signals are activated with the following logic:

OUT1	OUT2	State
OFF	OFF	Nothing to report
OFF	ON	Cooking detected, need for cooking ventilation
ON	OFF	Alarm (cooking hazard or water leakage)
ON	ON	Alarm (extinguishing triggered)

## Specifications

- Installation and coupling to all kind of DC systems (also PELV/FELV) with max. 250 V potential difference against earth ground. Optocoupled output provides 8 mm creepage and 4 kV isolation (rms 1 min).
- Optocoupled transistor between IN-OUT with maximum current pass of 20 mA. The transistor is held in saturated conducting mode when the output is active.
- Maximum voltage between IN-OUT is 24 V
- Only DC voltage between IN-OUT is allowed (IN voltage must be at least 3 V higher than OUT)

### ATTENTION

AUX-connection needs to be defined when ordering the stove guard.

## Example connection of one AUX-output

In this case the home automation system's logic input is pulled to ground potential when the AUX-output signal is active. Note that the maximum current pass in the optocoupler is 20 mA!

